

Interxion Connection Services

Connecting Your World

Interxion, the leading European provider of carrier neutral Data Centers and managed services, can help reduce the cost of network access and improve business performance by finding the right parties to connect with within the Interxion Data Center. We will be happy to provide you with more information about our community of carriers, ISPs, Internet Exchanges and other companies located in our Data Centers. So you can make the best possible deals on leased lines, IP-transit, peering arrangements and physical cabling.

Direct cabling

Direct cabling are fiber, copper or UTP connections going from your equipment to the carrier, ISP, Internet Exchange or other interxion customers. Direct cabling always run via dedicated central patch rooms to the destinations you need.

These Central Patch Rooms and all the cable trays are highly secured, so you do not need to worry about the security of your connections. All cabling is measured and tested before being taken into production to ensure quality data cabling. Interxion administers all cables and patches and provides support to resolve any connectivity problems.

Bandwidth solutions

The Interxion Data Centers allow you the freedom of choice. On average in each of our sites there are more than 15 network carriers you can chose from- in some sites this extends to over 50. In addition in all of our sites you have many more managed connectivity provider and content players with which you can exchange traffic. This allows you to negotiate for your connectivity on your terms-quality, price, and other services under the best possible conditions. Interxion can also help you establish relationships with each of the local suppliers, saving you endless amounts of time trying to locate the appropriate in country representative when you are miles away from where your equipment will be located. Additionally, if you desire a bundled solution Interxion can offer you different choices based on your specified requirements be it single connection or our multi-homed service that allows you connection to multiple Tier One providers in Europe. Our solutions can also take care of your network equipment and BGP routing if you desire.

Key benefits

- Mutually beneficial relationships with other companies within an Interxion Data Center;
- Cost savings by having the best possible deals for leased lines, IP Transit and peering arrangements;
- Opportunities to exchange traffic within same city locations.

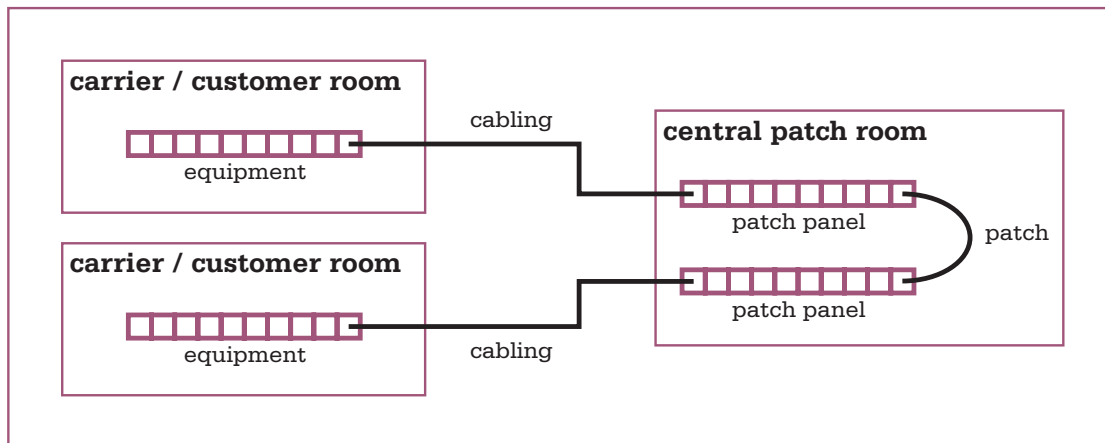
Peering & Internet Exchanges

Peering is a business agreement between network operators to exchange access to each others' networks so that all parties save money on their IP-transit. Peering can be done using direct cabling or via an Internet Exchange. An Internet Exchange is an infrastructure where different parties can interconnect and exchange traffic with each other at a national or international level. An Internet Exchange connects major ISPs, and sometimes research networks, Web-hosters and other companies. When you peer with two or more parties, it is usually beneficial to connect once to the shared infrastructure of the Internet Exchange instead of using a separate cable to each party.

Which Internet Exchanges work with Interxion?

Interxion works closely with Internet Exchanges located in Amsterdam (AMS-IX and NL-IX), Brussels (BNIX), Copenhagen (DIX), Frankfurt (DE-CIX), London (LINX), Madrid (MAD-IX) Paris (SFINX) and (FREEIX), Zurich (SWISSIX) and Vienna (VIX).

Data Center Cabling



How does Interxion work with Internet Exchanges?

Interxion operates colocation facilities for most of the aforementioned Internet Exchanges and provides additional services such as cabling, Hands and Eyes services and, in some cases, complete operational management of the exchange's infrastructure.

Metroconnect

In the event that the Internet Exchange is not located in one of Interxion's Data Center (e.g. AMS-IX in Amsterdam and DIX in Copenhagen) or if the exchange is located in a Data Center other than the one where you have your colocation, we can provide you with our Metroconnect solution from the Interxion Data Center to the local exchange. Metroconnect is a dedicated leased connection between Interxion Data Centers within a metropolitan area and the local Internet Exchange. In addition, if you are looking for ways to exchange traffic between Interxion Data Centers within a city (Amsterdam, Paris or Frankfurt), Metroconnect may be the ideal solution for you.

Availability monitoring

Interxion's Basic Monitoring service can also help you determine whether your transit provider lives up to its promises. Interxion can check URLs and ports connected to the Internet. If your URLs or ports are not accessible, the system will alert you to the problem or our technicians will take appropriate action.

About Interxion

Interxion is Europe's leading provider of carrier-neutral data centers and managed services. With 20 data centers across Europe, Interxion supports over 450 customers including enterprises, content providers, mobile service providers, and hosting and telecommunications companies.

Services such as Equipment Housing, onsite engineering and maintenance, connectivity solutions and a range of monitoring services provide customers with solutions to better manage their ICT and Internet infrastructure. Interxion's group of data centers is supported by a central European Service Center with a multilingual team offering technical assistance to customers 24 hours a day.

Since its inception, Interxion has raised more than € 300 million from a leading group of investors around the world, including Baker Capital, Residex, Bear Stearns, BNP Paribas, Goldman Sachs, CSFB, and Morgan Stanley.

Contact us:

T + 800 4687 9466 (international toll free number)
 T + 44 (0)20 7375 7070
 F + 44 (0)20 7375 7059
 E info@interxion.com